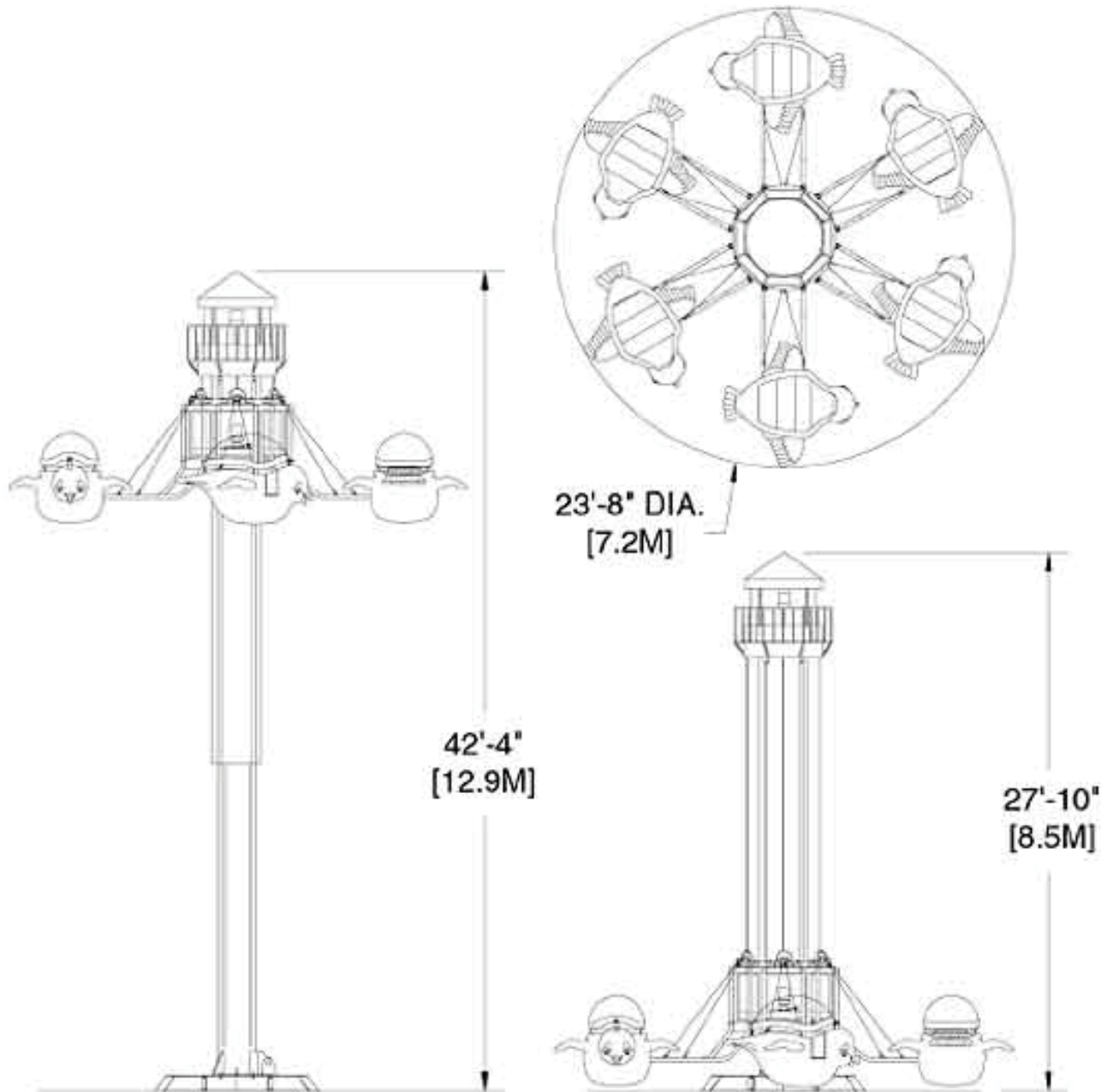




# *Kiddie Star Dancer*



**LARSON INTERNATIONAL, INC.**  
PO BOX 638  
Plainview, Texas 79073-0638

Phone: 806-293-1353  
Toll Free: 888-5-LARSON  
(888-552-7766)  
Fax: 806-293-5215